

SPECIFICATIONS:

**MATERIAL**  
CASE & COVER, PPS, UL94V-0, BLACK  
ACTUATOR/ROTOR, PA46, UL94V-0, SEE P/N TABLE FOR COLOR  
FIXED CONTACT/TERMINAL: COPPER ALLOY-GOLD OVER NICKEL PLATE  
MOVING CONTACT, COPPER ALLOY- GOLD OVER NICKEL PLATE  
PLATE, STAINLESS STEEL  
SPRING, STAINLESS STEEL  
O-RING, RUBBER

**ELECTRICAL**  
MAX CONTACT RATING SWITCHING, .4VA @ 20 V AC OR DC  
MIN CONTACT RATING SWITCHING, 1MICROAMP @ 1 MILLIVOLT  
INITIAL CONTACT RESISTANCE, 100 MILLIOHMS MAX. @ 2V DC 10MILLIAMPS  
CONTACT RESISTANCE AFTER TEST, 300 MILLIOHMS MAX.  
INSULATION RESISTANCE, 1,000 MEGOHMS MIN. @ 250 VDC  
DIELECTRIC STRENGTH, 250 VAC RMS @ SEA LEVEL  
LIFE, 10,000 STEPS MIN. @ 5V DC 10MILLIAMPS

**MECHANICAL**  
OPERATING FORCE, 200 GF-CM MAX.  
MECHANICAL LIFE, 20,000 STEPS MIN., NO LOAD

**ENVIRONMENTAL**  
OPERATING TEMPERATURE, -30 TO +85 DEGREES C  
STORAGE TEMPERATURE, -45 TO + 100 DEGREES C  
VIBRATION, PER EIA-364-28D, CONDITION 1  
MECHANICAL SHOCK, PER EIA-364-27B, CONDITION A  
RESISTANCE TO SOLDER HEAT PER 109-202 CONDITION B (THRU-HOLE), & 109-201, CONDITION B (SURFACE MOUNT)  
SOLDERABILITY PER JIS-C-0050 & JIS-C-0053

NOTES:

- ALL MATERIALS AND FINISHES SHALL COMPLY WITH EU DIRECTIVE 2002/95/EC OF 27JAN2003 (ROHS)
- TO BE SUPPLIED WITH ACTUATOR AT POSITION "7" FOR MRD10C & MRD10CS, POSITION "F" FOR MRD16C & MRD16CS AND POSITION "0" FOR ALL REMAINING MODELS
- TAPE & REEL PKG PER EIA 481 TAPE WIDTH 16mm, PITCH 16mm.
- LOCATE "ALCO" TRADE NAME AND LOT NUMBER ON THIS SURFACE. LOT NUMBER TO BE MARKED AS FOLLOWS:  
1ST DIGIT YEAR      2ND DIGIT MONTH

GREEN	MRD16RASTR04	2-1825013-4
WHITE	MRD16CRASTR04	2-1825013-3
RED	MRD10RASTR04	2-1825013-2
ORANGE	MRD10CRASTR04	2-1825013-1
GREEN	MRD16STR04	2-1825013-0
GREEN	MRD16S04	1-1825013-9
GREEN	MRD16RAS04	1-1825013-8
GREEN	MRD16RA04	1-1825013-7
WHITE	MRD16CSTR04	1-1825013-6
WHITE	MRD16CS04	1-1825013-5
WHITE	MRD16CRAS04	1-1825013-4
WHITE	MRD16CRA04	1-1825013-3
WHITE	MRD16C04	1-1825013-2
GREEN	MRD1604	1-1825013-1
RED	MRD10STR04	1-1825013-0
RED	MRD10S04	1825013-9
RED	MRD10RAS04	1825013-8
RED	MRD10RA04	1825013-7
ORANGE	MRD10CSTR04	1825013-6
ORANGE	MRD10CS04	1825013-5
ORANGE	MRD10CRAS04	1825013-4
ORANGE	MRD10CRA04	1825013-3
ORANGE	MRD10C04	1825013-2
RED	MRD1004	1825013-1
ROTOR COLOR	OLD T&B P/N	P/N

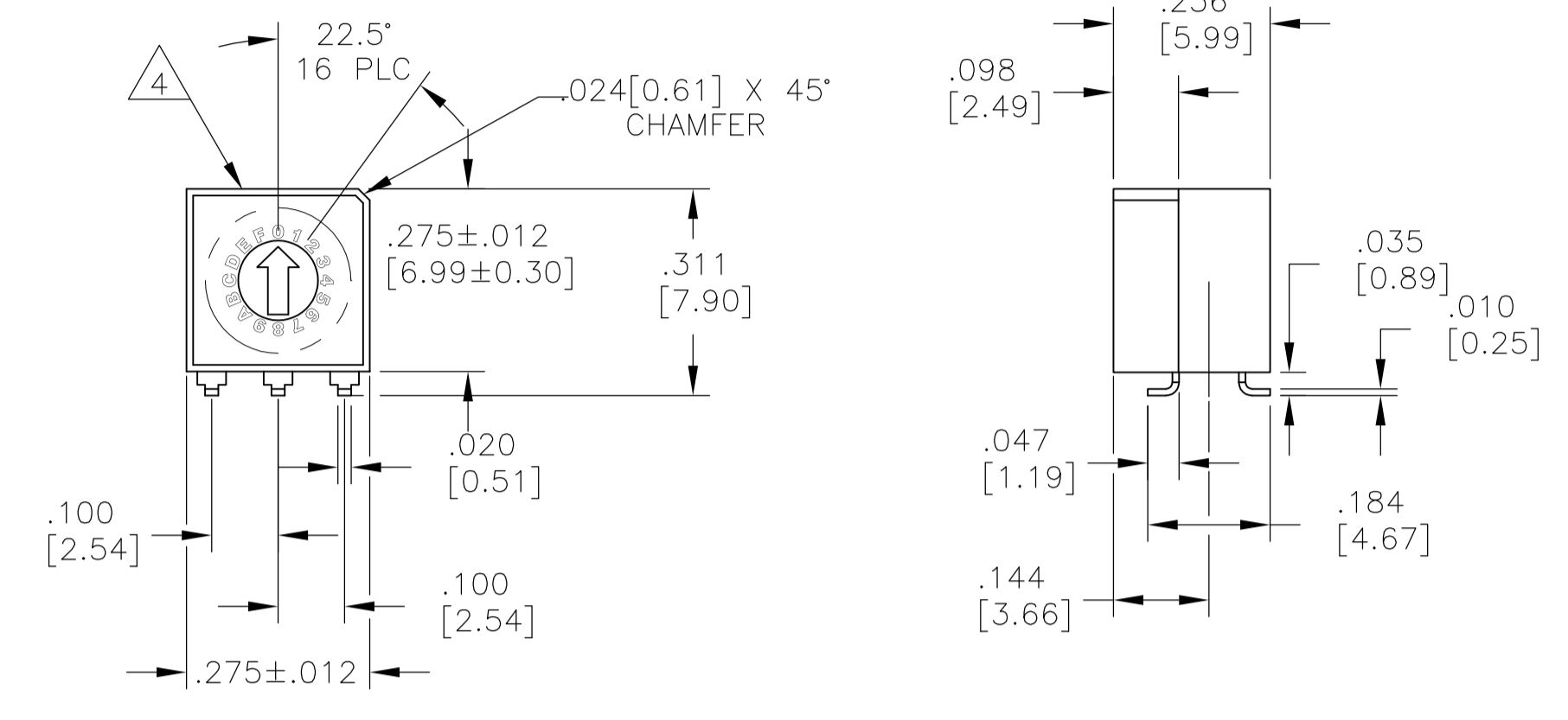
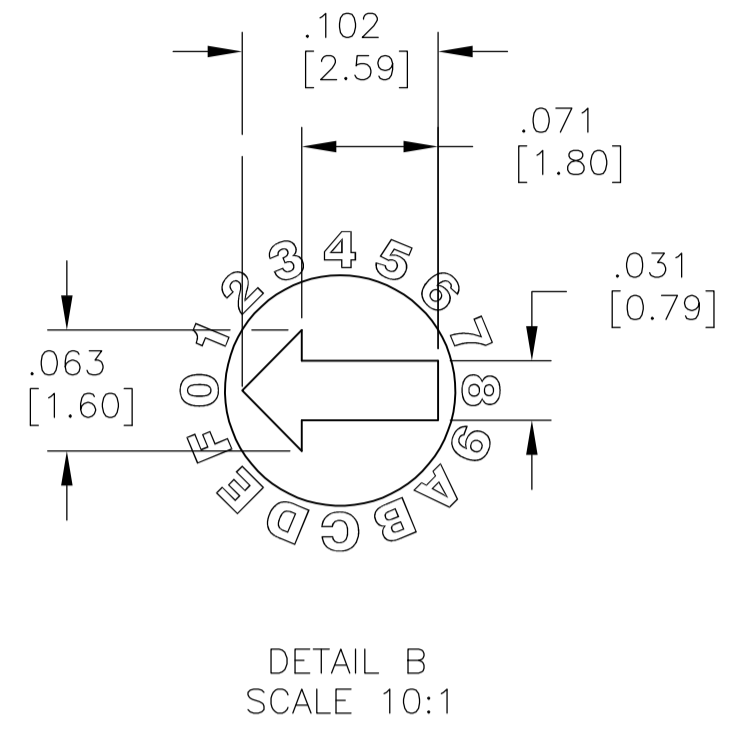
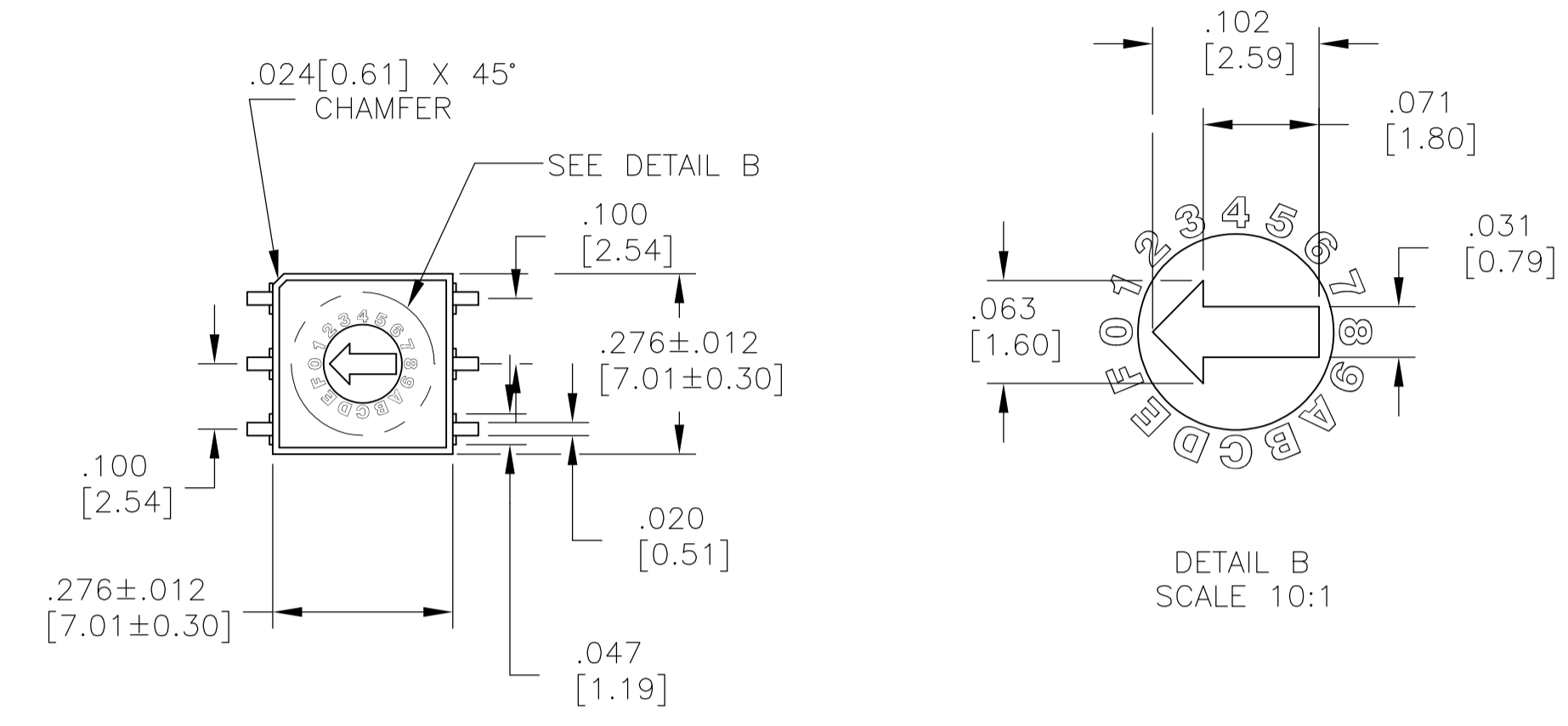
HOW TO ORDER: MRD- [ ] [ ] [ ]

CIRCUIT TYPES:  
10 = BC DECIMAL  
10C = BCD COMPLIMENT  
16 = HEXADECIMAL  
16C = HEXADECIMAL COMPLIMENT

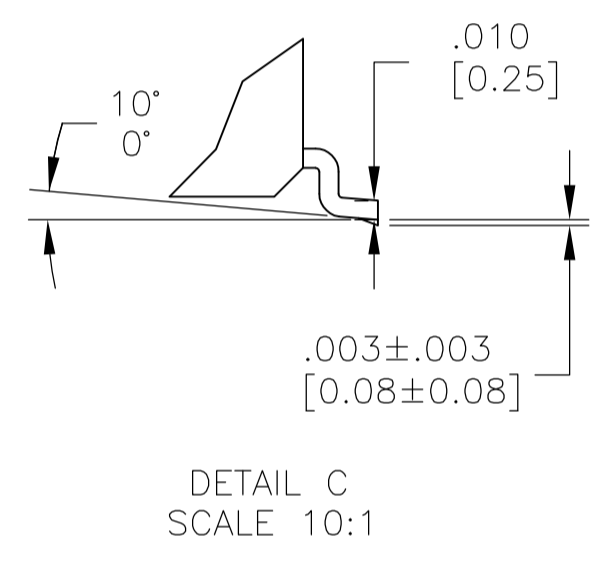
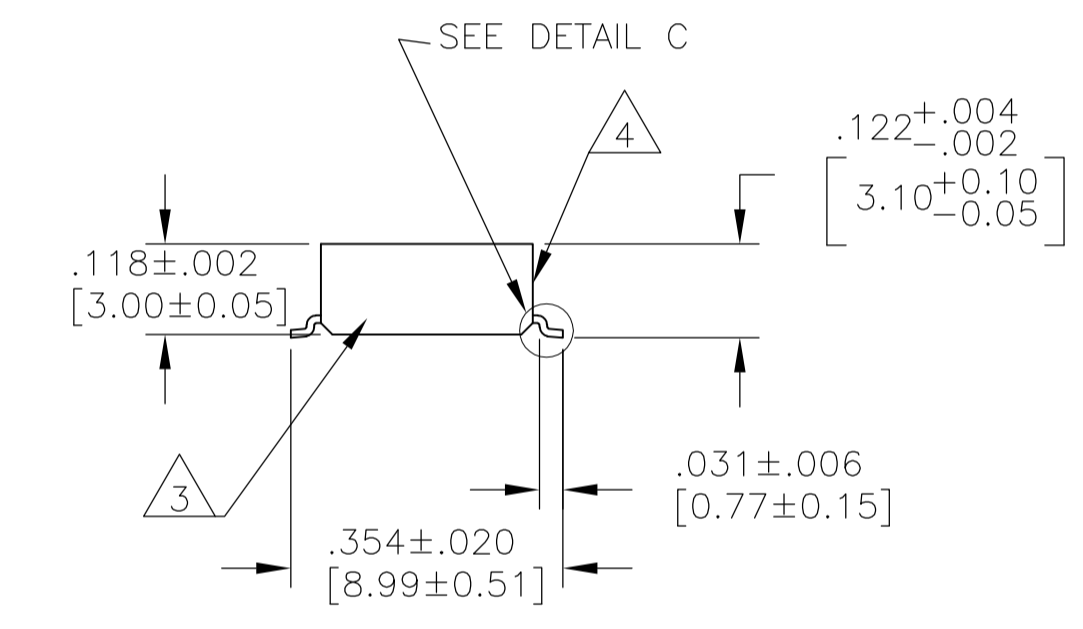
TERMINATIONS:  
BLANK = PC  
S = OUTSIDE L, SURFACE MOUNT  
RA= RIGHT ANGLE

PACKAGING:  
TR = TAPE & REEL  
(SURFACE MOUNT ONLY SEE SHEET 3)

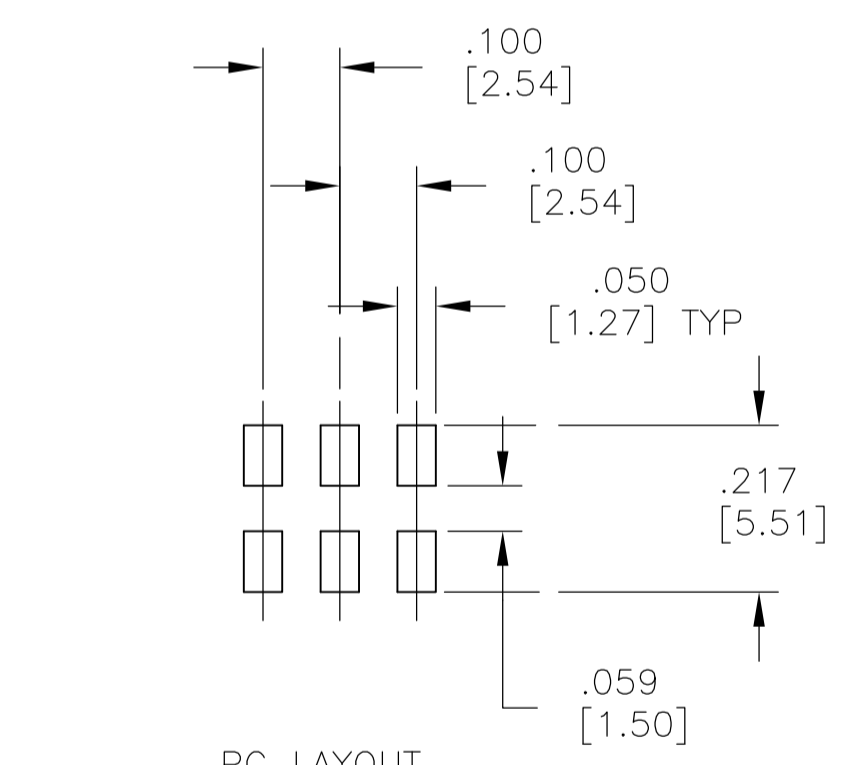
THIS DRAWING IS A CONTROLLED DOCUMENT.		DIN	M. BINNER	25JUL02
DIMENSIONS: INCHES[mm]		CHK	M. SARVER	25JUL02
TOLERANCES UNLESS OTHERWISE SPECIFIED:		APP'D	M. SARVER	25JUL02
0 PLC ± -		NAME		
1 PLC ± -		MRD SERIES 7MM ROTARY DIP SWITCH		
2 PLC ± -		APPLICATION SPEC		
3 PLC ± .01(0.25)		SIZE		
4 PLC ± ± Z		CAGE CODE		
ANGLES ± ± Z		DRAWING NO		
MATERIAL SEE SPECIFICATION		RESTRICTED TO		
FINISH -		A1 00779 1825013		
WEIGHT -		CUSTOMER DRAWING		
SCALE 4:1		SHEET 1 OF 2		
REV B1				



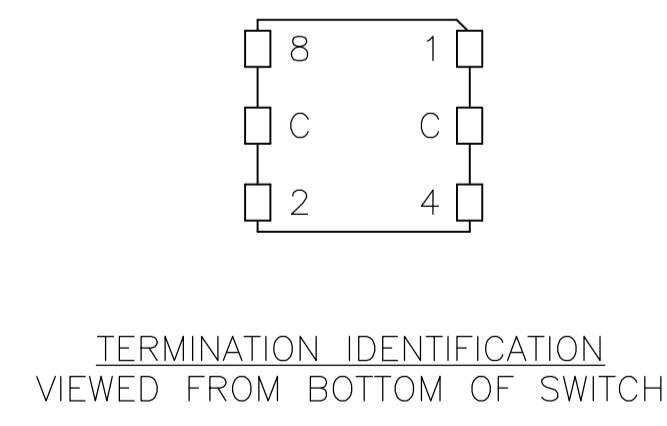
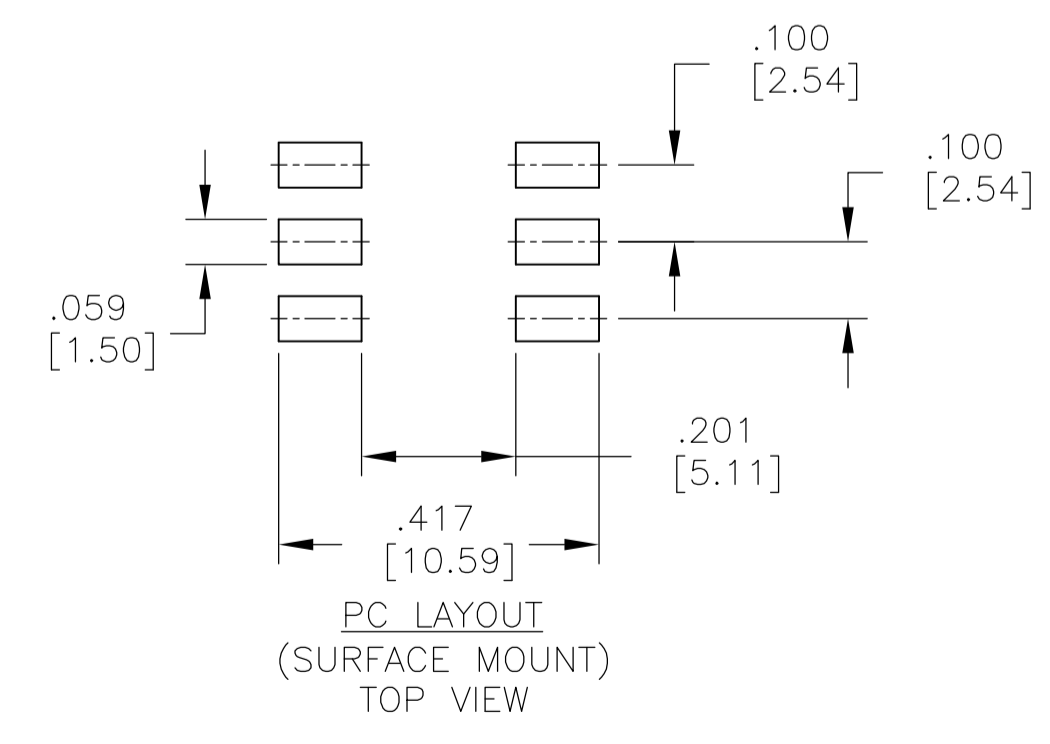
RIGHT ANGLE SURFACE MOUNT



SURFACE MOUNT



PC LAYOUT (RIGHT ANGLE SURFACE MOUNT) TOP VIEW



TERMINATION IDENTIFICATION VIEWED FROM BOTTOM OF SWITCH

10 POSITION, BCD COMPLEMENT

POS	0	1	2	3	4	5	6	7	8	9
C	X	X	X	X	X	X	X	X	X	X
1	X		X					X		X
2	X	X			X	X			X	X
4	X	X	X	X					X	X
8	X	X	X	X	X	X	X	X		

10 POSITION, BCD

POS	0	1	2	3	4	5	6	7	8	9
C	X	X	X	X	X	X	X	X	X	X
1		X			X			X		X
2			X	X			X	X		
4					X	X	X	X		
8									X	X

16 POSITION, HEXADECIMAL

POS	0	1	2	3	4	5	6	7	8	9	A	B	C	D	E	F
C	X	X	X	X	X	X	X	X	X	X	X	X	X	X	X	X
1		X		X		X		X		X		X		X		X
2			X	X			X	X			X	X			X	X
4					X	X	X	X					X	X	X	X
8									X	X	X	X	X	X	X	X

16 POSITION, HEXADECIMAL COMPLEMENT

POS	0	1	2	3	4	5	6	7	8	9	A	B	C	D	E	F
C	X	X	X	X	X	X	X	X	X	X	X	X	X	X	X	X
1	X		X		X		X		X		X		X		X	
2	X	X			X	X			X	X			X	X		
4	X	X	X	X					X	X	X	X				
8	X	X	X	X	X	X	X	X								

COLOR CODE

CIRCUIT TYPE	ACTUATOR COLOR
10	RED
10C	ORANGE
16	GREEN
16C	WHITE

THIS DRAWING IS A CONTROLLED DOCUMENT.

DIMENSIONS: INCHES[mm]

TOLERANCES UNLESS OTHERWISE SPECIFIED:  
 0 PLC ± -  
 1 PLC ± -  
 2 PLC ± -  
 3 PLC ± .010  
 4 PLC ± - ± .2°  
 ANGLES ± - ± .2°

MATERIAL: SEE SHEET 1

FINISH: -

DWG: M. BINNER 25JUL02  
 CHK: M. SARVER 25JUL02  
 APP'D: M. SARVER 25JUL02

NAME: MRD SERIES 7MM ROTARY DIP SWITCH

SIZE: A1

SCALE: 4:1

SHEET: 2 OF 2

REV: B1

STE TE Connectivity